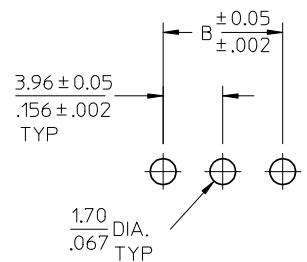
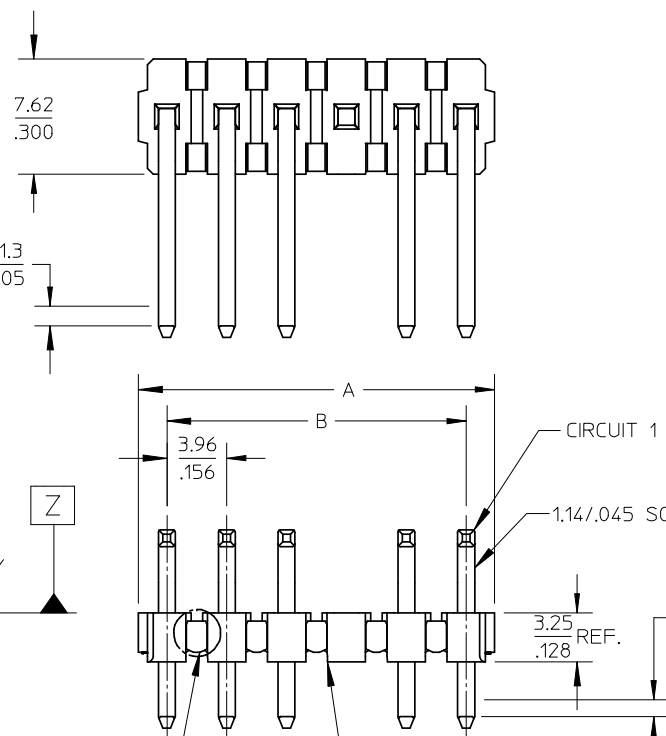
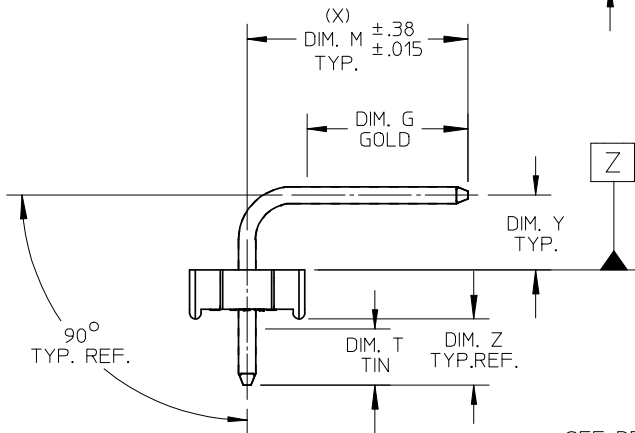


A-41662-* N * * - *
 PACKAGING AND OPTIONS
 NO. OF CKTS.
 PIN DIMENSIONS
 PLATING

VOID LOCATIONS:
 BLANK = NO VOIDS
 NO.= CKT NO. VOIDED
 MULT. VOIDS START WITH 51

CENTERLINE OF PIN IN AREA SHOWN NOT TO VARY FROM CENTERLINE OF PIN AT DATUM Z BY MORE THAN 0.20/.008 IN ANY DIRECTION.



PCB LAYOUT: COMPONENT SIDE
 RECOMMENDED PCB THICKNESS: 1.57±.18/.062±.007

SEE DETAIL A
 OPTIONAL VOIDED CKT. SEE CHART FOR LOCATIONS

NOTES:

- MATERIAL: GLASS FILLED POLYESTER, 94V-0, MOLDED BLACK
- FINISH: PER SD5-88
 - (102) OVERALL TIN: 0.00508/.000200 MIN. OVERALL COPPER UNDERPLATE: 0.00254/.000100 MIN.
 - (154) OVERALL TIN: 0.00254/.000100 MIN. OVERALL NICKEL UNDERPLATE: 0.00127/.000050 MIN.
 - (208) SELECT GOLD: 0.00038/.000015 MIN. * SELECT TIN: 0.00254/.000100 MIN. OVERALL NICKEL UNDERPLATE: 0.00127/.000050 MIN.
 - (228) SELECT GOLD: 0.00076/.000030 MIN. * SELECT TIN: 0.00254/.000100 MIN. OVERALL NICKEL UNDERPLATE: 0.00127/.000050 MIN.
 - (501) OVERALL GOLD: 0.00051/.000020 MIN. OVERALL NICKEL UNDERPLATE: 0.00076/.000030 MIN.

- PRODUCT SPECIFICATION: PS-08-50.
- PACKAGING INFORMATION: SEE CHARTS
- SOLDERABILITY: PER SM5-152.
- PIN PUSH-OUT FORCE: PRIOR TO SOLDERING, A 3 LB. MINIMUM FORCE (IN EITHER DIRECTION) SHALL BE REQUIRED TO PUSH THE PIN OUT OF THE HEADER.
- PARTS ARE STACKABLE END TO END ON 3.96/.156 CENTERS. (SPACING TABS MUST BE REMOVED ON CIRCUIT SIZES 1-23 BEFORE PARTS ARE STACKABLE.)
- THE PRIMARY SHIPPING CARTON WILL BE LABELED, "COMPLIANT TO RoHS DIRECTIVE 2002/95/EC AND ELV ANNEX II OF DIRECTIVE 2000/53/EC". CARTONS WITHOUT THIS LABEL MAY CONTAIN PRODUCT WITH TIN-LEAD PLATING.
- THIS PART CONFORMS TO CLASS B REQUIREMENTS OF COSMETIC SPECIFICATION PS-45499-002.

| CIRCUIT | B | A |
|---------|----------------|----------------------------|
| 2 | 3.96 .156 | 6.78/7.87 .267/3.10 |
| 3 | 7.92 .312 | 10.74/11.84 .423/4.66 |
| 4 | 11.89 .468 | 14.71/15.80 .579/6.22 |
| 5 | 15.85 .624 | 18.67/19.76 .735/7.78 |
| 6 | 19.81 .780 | 22.63/23.72 .891/9.34 |
| 7 | 23.77 .936 | 26.59/27.69 1.047/1.090 |
| 8 | 27.74 1.092 | 30.56/31.65 1.203/1.246 |
| 9 | 31.70 1.248 | 34.52/35.61 1.359/1.402 |
| 10 | 35.66 1.404 | 38.48/39.57 1.515/1.558 |
| 11 | 39.62 1.560 | 42.44/43.54 1.671/1.714 |
| 12 | 43.59 1.716 | 46.41/47.50 1.827/1.870 |
| 13 | 47.55 1.872 | 50.37/51.46 1.983/2.026 |
| 14 | 51.51 2.028 | 54.33/55.42 2.139/2.182 |
| 15 | 55.47 2.184 | 58.29/59.39 2.295/2.338 |
| 16 | 59.44 2.340 | 62.26/63.35 2.451/2.494 |
| 17 | 63.40 2.496 | 66.22/67.31 2.607/2.650 |
| 18 | 67.36 2.652 | 70.18/71.27 2.763/2.806 |
| 19 | 71.32 2.808 | 74.14/75.23 2.919/2.962 |
| 20 | 75.29 2.964 | 78.11/79.20 3.075/3.118 |
| 21 | 79.25 3.120 | 82.07/83.16 3.231/3.274 |
| 22 | 83.21 3.276 | 86.03/87.12 3.387/3.430 |
| 23 | 87.17 3.432 | 89.94/91.08 3.541/3.586 |
| 24 | 91.14 3.588 | 93.85/95.00 3.695/3.740 |

| | |
|------|------|
| 2-* | AH5 |
| 1 | |
| SHT. | REV. |

| | | |
|---------------------|------------|-------------|
| ADD 41662-0683 | 2008/04/15 | DESCRIPTION |
| EC NO: UCP2008-2462 | 2008/04/18 | |
| DRWN:MK IPPER | 2008/04/25 | |
| CHKD:SSOUSEK | | |
| APPR:FSM TH | | REV |
| AH5 | | |

| |
|-----------------|
| QUALITY SYMBOLS |
| ▽=0 |
| ▽=0 |

| GENERAL TOLERANCES (UNLESS SPECIFIED) | |
|--|---------------|
| | mm INCH |
| 4 PLACES | ± --- ± --- |
| 3 PLACES | ± --- ± .010 |
| 2 PLACES | ± 0.25 ± .014 |
| 1 PLACE | ± 0.36 ± --- |
| ANGULAR ±1/2° | |
| DRAFT WHERE APPLICABLE MUST REMAIN WITHIN DIMENSIONS | |

| DIMENSION STYLE | |
|-----------------|------------|
| MM/IN | |
| DRAWN BY | DATE |
| JSCHAFFER | 2003/09/15 |
| CHECKED BY | DATE |
| KSAMIEC | 2003/09/15 |
| APPROVED BY | DATE |
| MARGULIS | 2003/09/15 |
| MATERIAL NO. | |
| SEE CHART | |
| SIZE | |
| A | |

| | | |
|---|--------------|------------------------|
| SCALE | DESIGN UNITS | THIRD ANGLE PROJECTION |
| 4:1 | INCH | |
| TITLE | | |
| KK .156 HEADER ASSEMBLY FLAT BREAKAWAY 2-24 CKTS. | | |
| MOLEX INCORPORATED | | |
| DOCUMENT NO. | SHEET NO. | |
| SD-41662-001 | 1 OF 12 | |
| THIS DRAWING CONTAINS INFORMATION THAT IS PROPRIETARY TO MOLEX INCORPORATED AND SHOULD NOT BE USED WITHOUT WRITTEN PERMISSION | | |

